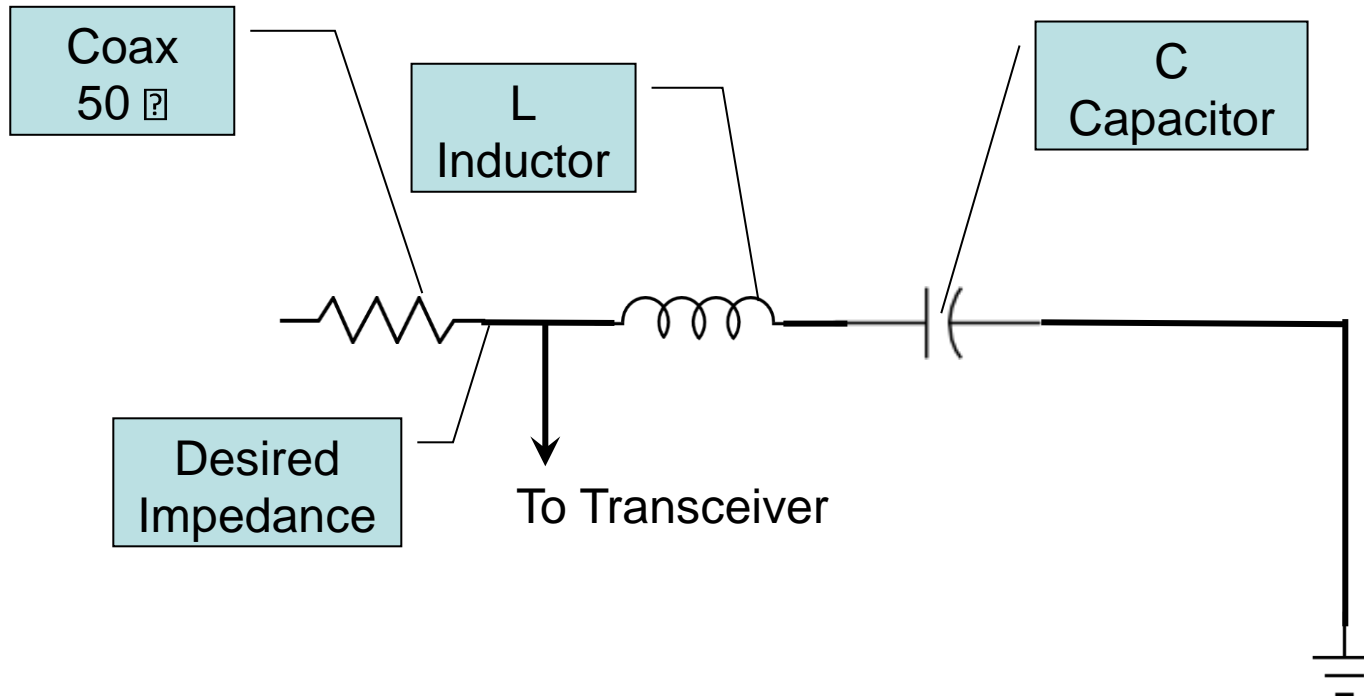


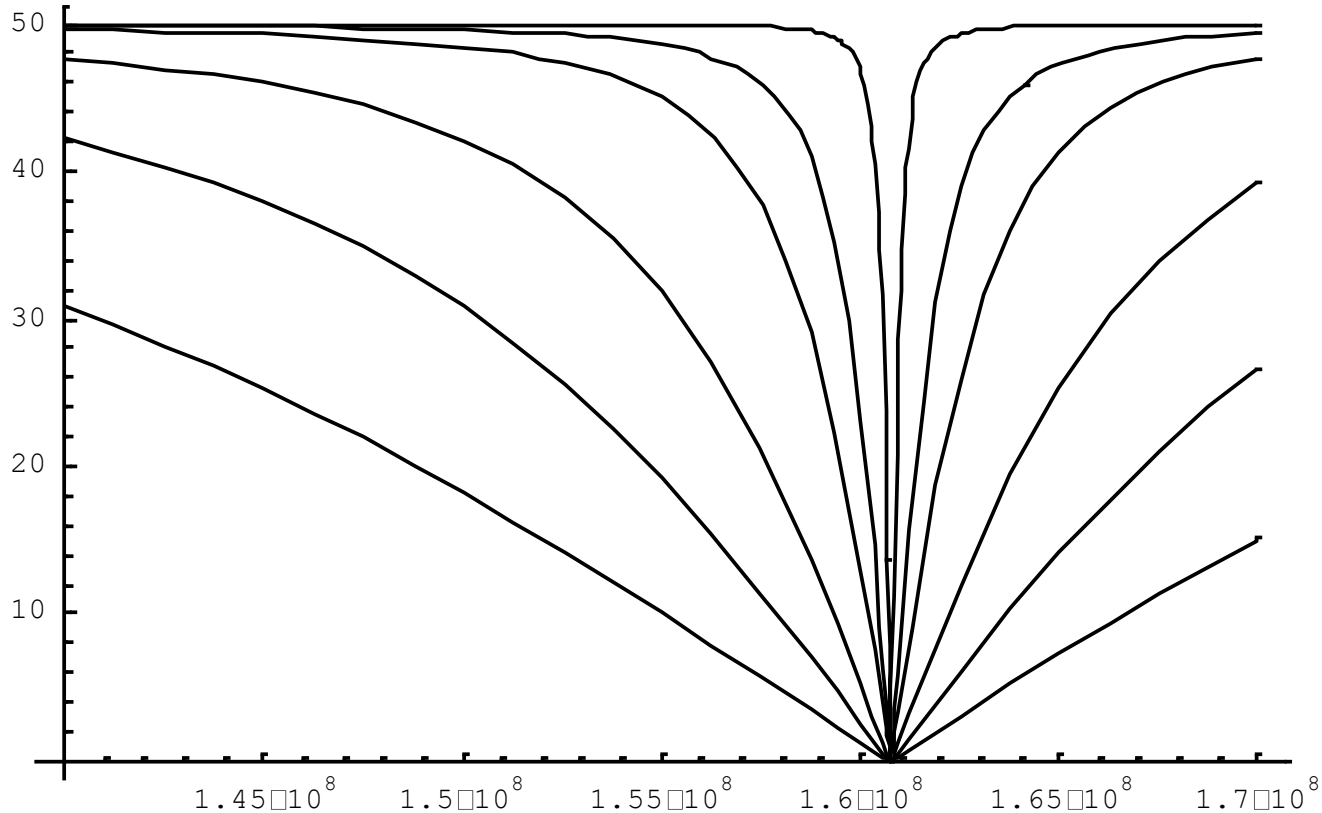
Problem

- A strong signal from a Repeater for the Fire Department is mixing in the front end of a two meter receiver, making the receiver inoperable

Discrete Notch Filter



Possible Performance



- Bill made measurements and we found a very broad resonance
- The performance can be improved considerably but, the capacitance would need to be much-much-less than 1 pF, a difficult task