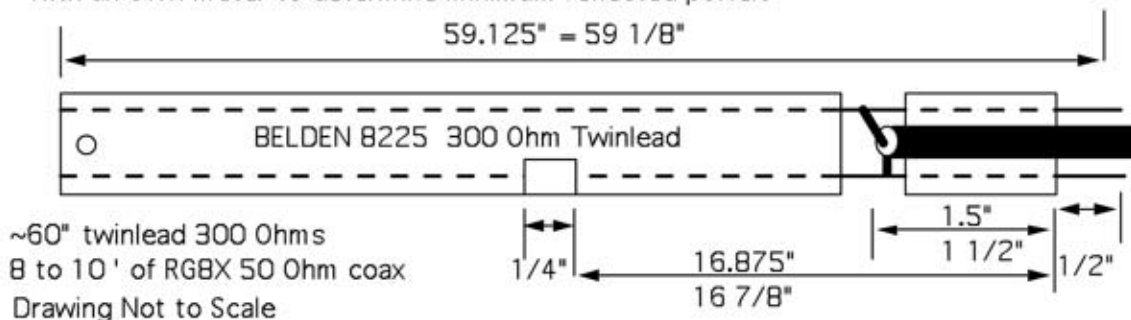


Roll-Up J-Pole Antenna for 2 Meters

1. Cut a piece of standard 300 Ohm Twin Lead to about 60" long.
2. At one end strip off 1/2" of insulation from both conductors.
3. Twist the ends together and solder them. Insulate with tape.
The following measurements are from the soldered end
4. Cut a 1/4" notch in one conductor 16.875" = 16 7/8".
Do Not remove the rest of the conductor.
5. At 1.5" from the shorted end, remove enough insulation from both conductors to connect the coaxial feed line.
6. Connect the coaxial line shield to the 16 7/8" side.
7. Connect the coaxial center conductor to the long side.
- 8 For support and protection, put a piece of heat shrink or plastic tape over each of the solder connections.
9. Punch a small 1/8" hole in the insulation at the open end to hang the J-Pole.
A small string or Tie-wrap works well to pin the J-Pole to a curtain.
10. Tuning: If you use the exact dimensions shown below the antenna will be resonant in the two meter band. Prune the open end a little if not exact with an SWR meter to determine minimum reflected power.



I hope you enjoy these as much as I have. The Roll-Up J-Pole has been in my case on many trips for the company. Its great to contact the local hams from the Motel room to find out what is going on. One night I found a great swap meet in Huntsville AL.